

MA III

CATEGORY: Agricultural / Landscape maintenance
WORKING WIDTH (m): 1.30 – 1.90
FLAIL MOWER: Rear



THE COMPACT FLAIL MOWER FOR ROADSIDE VERGE MAINTENANCE

The MA III flail mowers are particularly compact as they are geared to clearing meadow margins. The large grease capacity of their oversized bearings keeps maintenance costs down.



THE STANDARD ESSENTIALS

- 100 HP gearbox with integrated free wheel
- Category 2 hitch (category 1 optional on MA III 130 and MA III 150)
- 1.40-m lateral offset
- Parallelogram on 120x60 mm beams and Ø30-mm shafts
- Mechanical security, hydraulic optional
- Large-dimension rotor (Ø 50-mm shaft, Ø 133-mm tube rotor)
- Bearings protected with baffles to prevent wire and twine clogging
- Bearings with large grease capacity means less maintenance downtime
- Low power absorption by number of cutting heads and good dispersal
- Height-adjustable roller for better ground following

The options → sheet metal lining, hydraulic security, etc.

CUTTING HEADS



Hammers



Y-blades



LAGARDE

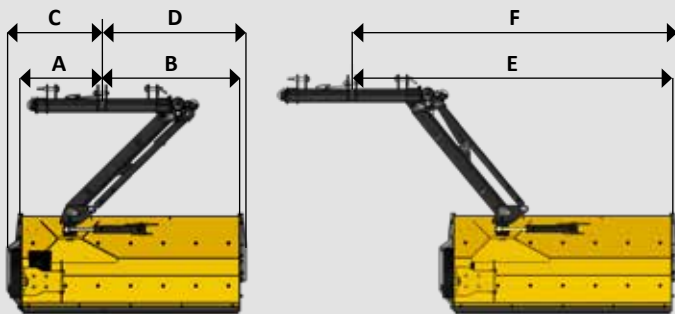


MORE DETAILS
www.lagarde-sas.fr

		MA III 130	MA III 150	MA III 170	MA III 190
Dimensions	Working width (m)	1.30	1.50	1.70	1.90
	Transport width (m)	1.44	1.64	1.84	2.04
	Working Ø (mm)	380	380	380	380
	Type of hitch	Axial hitch, CAT 1, sliding 3rd point			
	Cutting height (cm)	2-6	2-6	2-6	2-6
	Parallelogram beams (mm)	120 x 60	120 x 60	120 x 60	120 x 60
	Beam shafts (mm)	30, rotation 60			
	Offset to the right (mm)	1100	1100	1100	1100
	Slope	+90° to -65°			
	Body structure (mm)	Body base 4 mm, side walls 6 mm			
	Ground following	Ø 140-mm roller and height-adjustable side skids			
	Follower roll bearings	Self-aligning bearings			
	Weight (kg)	440	475	505	530
Cutting heads	No. of hammers	20	24	28	28
	No. of Y blades	40	48	56	56
Features	Gearbox (HP)	100	100	100	100
	Rotor rotation speed (rpm)	2400	2400	2400	2400
	Linear speed of cutting heads (m/s)	48	48	48	48
	Front protection	High-strength rubber flaps			
	Ejection of shredded matter	Over and behind the roller			
	Rotor bearings	Internal			
	PTO (rpm)	540	540	540	540
	PTO shaft	1'3/8 drive shaft, 6 splines			
	Security	Mechanical, by link rod			
	No. of belts	3	3	4	4
	Required power (HP)	30 / 40	40 / 50	50 / 60	60 / 70
Options	CAT 1 hitch	○	○	—	—
	Sheet metal lining	○	○	○	○
	Hydraulic security	○	○	○	○
	Road signalling kit	○	○	○	○

● Standard — Not available ○ Optional

KINEMATICS



		Widths in mm	MA III 130	MA III 150	MA III 170	MA III 190
LH offset	Working	A	650	750	850	850
		B	650	750	850	1050
	Overall	C	790	890	990	990
		D	740	840	940	1140
RH offset	Working	E	1900	2150	2350	2550
	Overall	F	1990	2240	2440	2640



Equipment designed to last

LAGARDE - 65 Avenue de Tréville - 64130 Mauléon Licharre

Tél : +33 5 59 19 20 10 - Fax : + 33 5 59 19 20 11 - contact@lagarde-sas.fr



Your LAGARDE dealer